



# STC08-AB060 Plate

- Red indicator
- Buzzer

## OPERATION:

STC flush plates are designed to manage and control the door access to laboratories and clean rooms with controlled environments.

Simple and clear signs are used to display the status of the information.

## TECHNICAL SPECIFICATIONS:

- Stainless steel cover and front panel
- Airtight
- Resistant to decontamination products (formaldehyde, H<sub>2</sub>O<sub>2</sub>, etc.)
- Ensures uniform lighting
- LED Advantages: life span > (100,000 hours)
- Buzzer: permanent or intermittent sound (with IP 40 protection)
- Low voltage power supply: 24V DC
- Fast-pinning system with polarising key
- Fast and easy installation
- Low power consumption



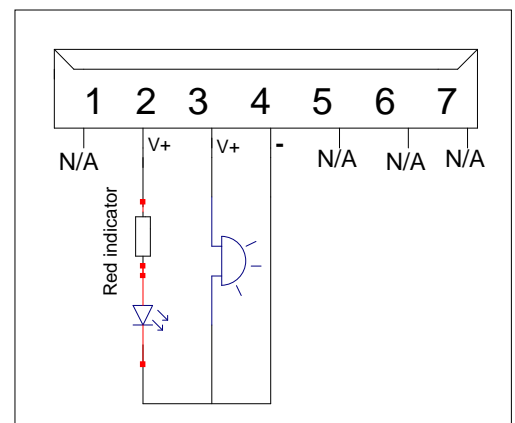
## SECTORS OF APPLICATION:

Clean rooms  
 Grey rooms  
 Laboratories  
 Hospitals  
 Banks...

## WIRING DIAGRAM:

Mark	Colour	Description
1	Yellow	N/A
2	Red	Red LED (V+)
3	Green	Buzzer (V+)
4	Blue	Power Supply (0V)
5	Brown	N/A
6	White	N/A
7	Grey	N/A

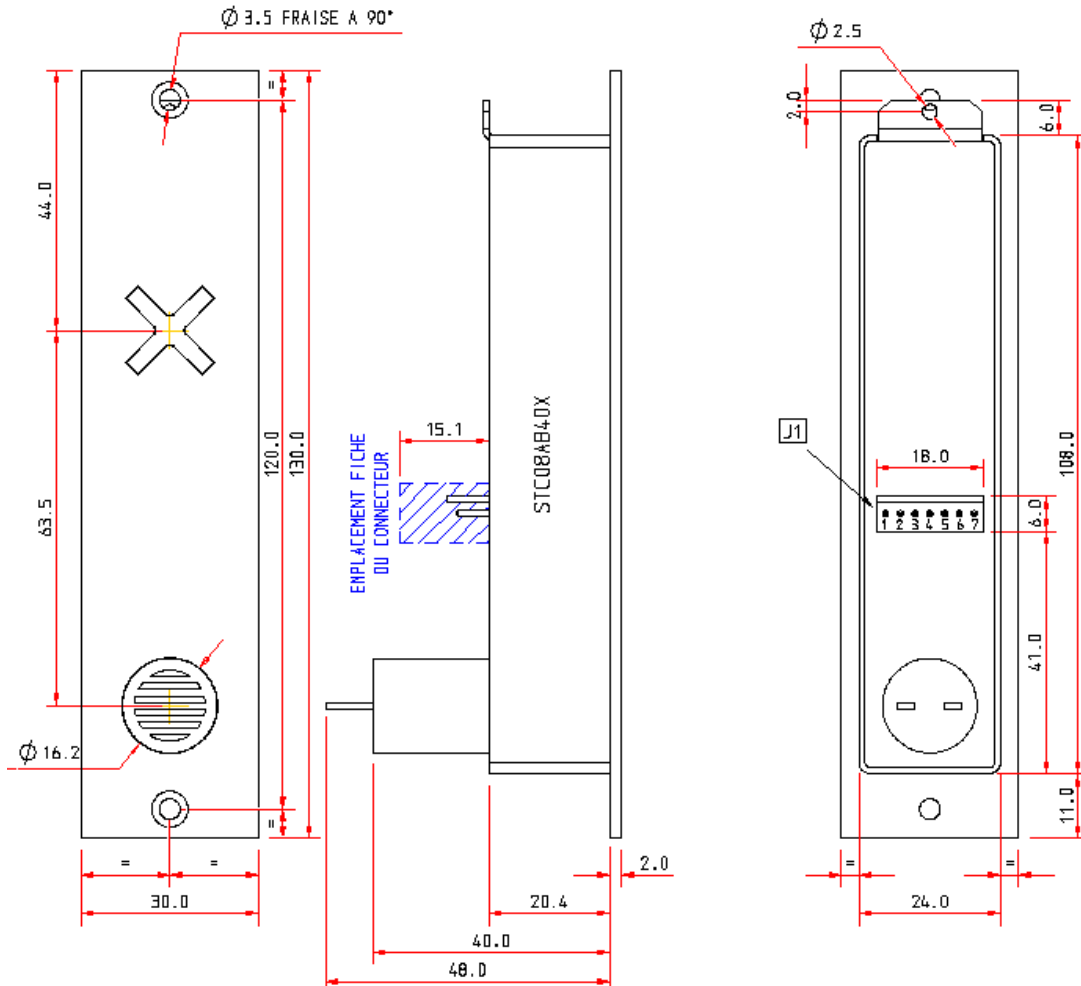
## ELECTRICAL DIAGRAM:



## ELECTRICAL DESCRIPTION:

Parameter	Voltage (volt)	Current (milliamperes)
Red LED	24V	30mA
Buzzer	30V	20mA

## Mechanical Formats



## INFORMATION FOR ALL FUNCTIONS:

### STC 08 PLATE

