



STC08AH310 Plate

- Orange indicator
- Green indicator
- Red indicator
- Infrared cell
- Key-operated switch

OPERATION:

STC flush plates are designed to manage and control the door access to laboratories and clean rooms with controlled environments.

Simple and clear signs are used to display the status of the information.

TECHNICAL SPECIFICATIONS:

- Stainless steel cover and front panel
- Airtight
- Resistant to decontamination products (formaldehyde, H₂O₂, etc.)
- Ensures uniform lighting
- LED Advantages: life span > 100,000 hours
- Ic Performance > 100,000 hours
- Ic Range: from 2 to 34 mm
- Key-operated switch performance > 200,000 operations
- Low voltage power supply: 24V DC
- Fast-pinning system with polarising key
- Fast and easy installation
- Low power consumption

SECTORS OF APPLICATION:

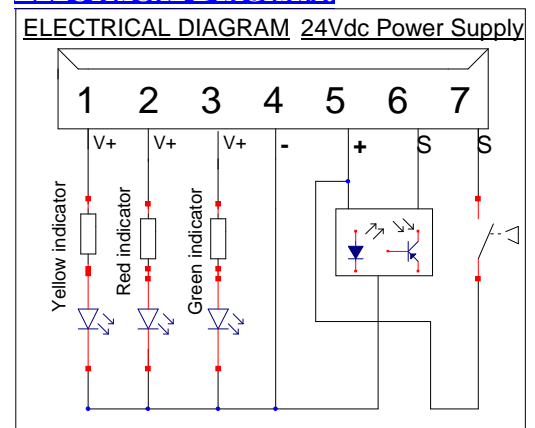
Clean rooms
 Grey rooms
 Laboratories
 Hospitals
 Banks, etc.



WIRING DIAGRAM:

Mark	Colour	Description
1	Yellow	Orange LED (V+)
2	Red	Red LED (V+)
3	Green	Green LED (V+)
4	Blue	Power Supply (0V)
5	Brown	Power Supply (+24V)
6	White	Infrared cell (PNP open collector)
7	Grey	Key-operated switch

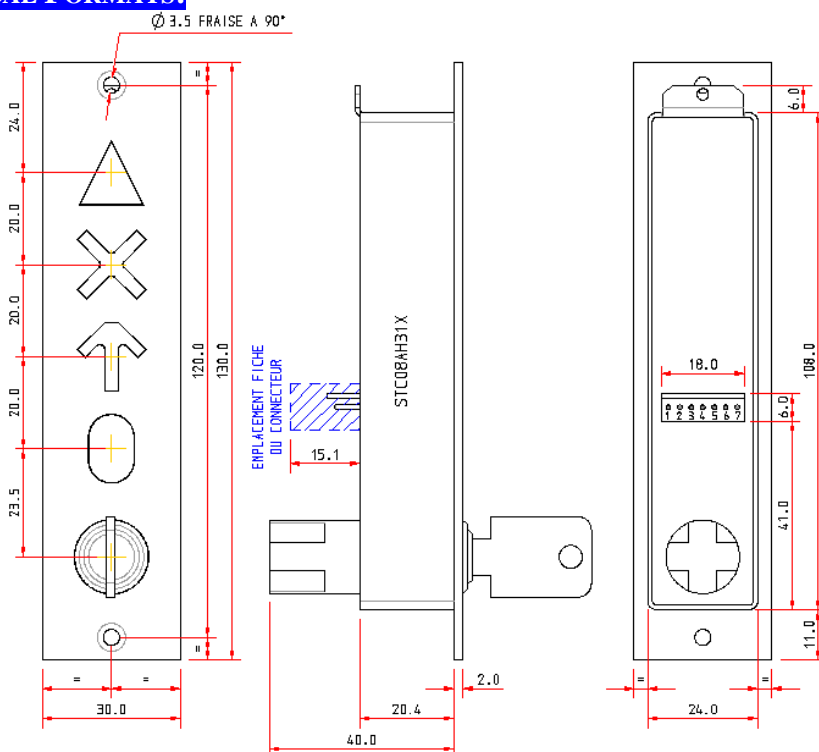
ELECTRICAL DIAGRAM:



ELECTRICAL MODALITY:

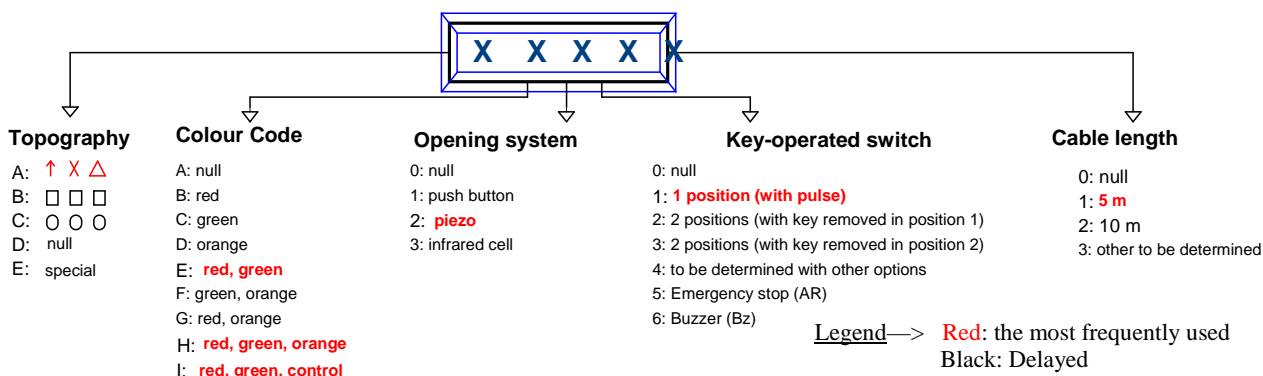
Parameter	Voltage (volt)		Current (milliamperes)	Reaction Time (Milliseconds)
	Min	Max		
Green LED		24 V	30mA	
Red LED		24 V	30mA	
Orange LED		24 V	30mA	
Infrared cell	12V	24 V	50mA	<= 0.5 ms
Key-operated switch	24V			

MECHANICAL FORMATS:



INFORMATION FOR ALL FUNCTIONS:

STC 08 PLATE



Simplified Joint Stock Company (S.A.S.) with a social capital of 37,000 EUR – APE 281 A – RCS LYON B 320

341 449 – TVA FR 60 320 341 449

2008 Certificate
No. 31046