



STC08 - AH010 Plate

- Orange indicator
- Red indicator
- Green indicator
- Key-operated switch

OPERATION:

STC flush plates are designed to manage and control the door access to laboratories and clean rooms with controlled environments.

Simple and clear signs are used to display the status of the information.

TECHNICAL SPECIFICATIONS:

- Stainless steel cover and front panel
- Airtight
- Resistant to decontamination products (formaldehyde, H₂O₂, ...)
- Ensures uniform lighting
- LED Advantages > life span (100,000 hours)
- Key-operated switch performance > 200,000 operations
- Low voltage power supply: 24V DC
- Fast-pinning system with polarising key
- Fast and easy installation
- Low power consumption



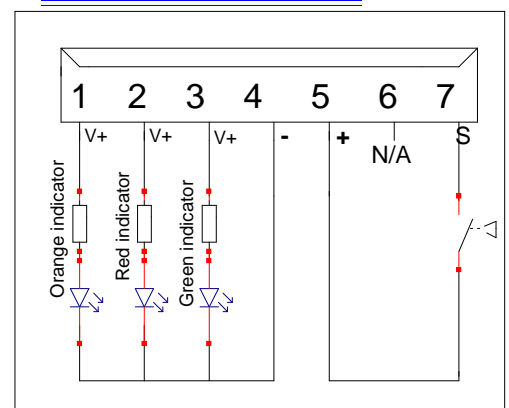
SECTORS OF APPLICATION:

Clean rooms
 Grey rooms
 Laboratories
 Hospitals
 Banks, etc.

Wiring Diagram:

Mark	Colour	Description
1	yellow	Orange LED (V+)
2	Red	Red LED (V+)
3	Green	Green LED (V+)
4	Blue	Power Supply (0V)
5	Brown	Power Supply (+24V)
6	White	N/A
7	Grey	Key-operated switch

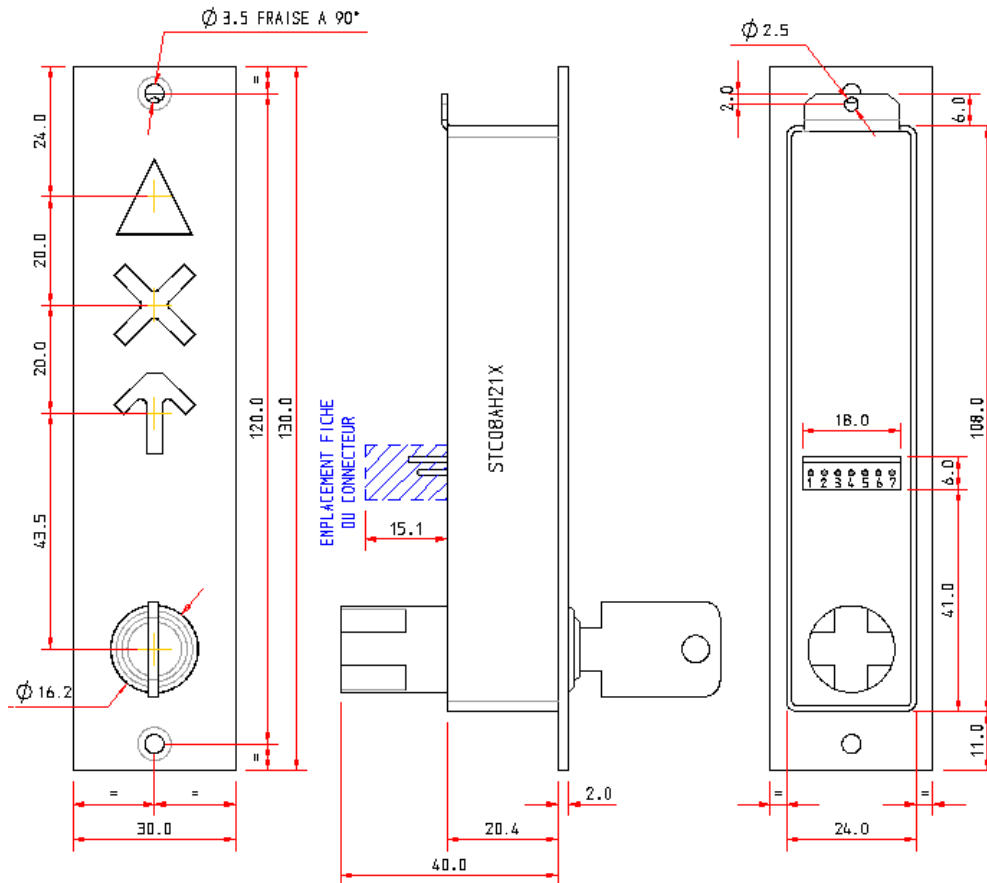
ELECTRICAL DIAGRAM:



ELECTRICAL DESCRIPTION:

Parameter	Voltage (volt)	Current (milliamperes)
Green LED	24V	30mA
Red LED	24V	30 mA
Orange LED	24V	30 mA
Key-operated switch	24V	

MECHANICAL FORMATS:



INFORMATION FOR ALL FUNCTIONS:

STC 08 PLATE

