



STC08-AE300 Plate

- Red indicator
- Green indicator
- Infrared cell

OPERATION:

STC flush plates are designed to manage and control the door access to laboratories and clean rooms with controlled environments.

Simple and clear signs are used to display the status of the information.

TECHNICAL SPECIFICATIONS:

- Stainless steel cover and front panel
- Airtight
- Resistant to decontamination products (formaldehyde, H₂O₂, etc.)
- Ensures uniform lighting
- LED Advantages: life span > (100,000 hours)
- Ic Performance > 100,000 hours
- Ic Range: from 2 to 34 mm
- Low voltage power supply: 24V DC
- Fast-pinning system with polarising key
- Fast and easy installation
- Low power consumption



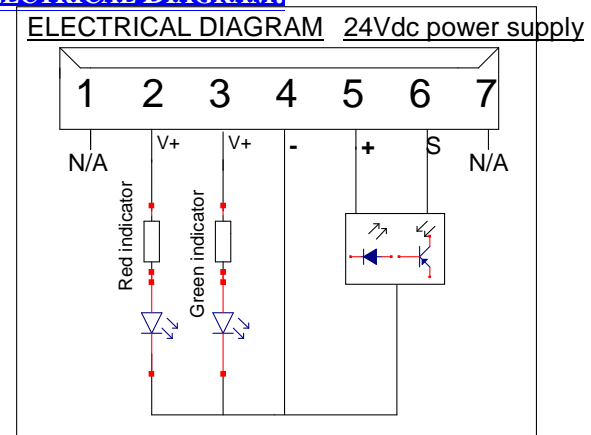
SECTORS OF APPLICATION:

Clean rooms
 Grey rooms
 Laboratories
 Hospitals
 Banks, etc.

WIRING DIAGRAM:

Mark	Colour	Description
1	Yellow	N/A
2	Red	Red LED (V+)
3	Green	Green LED (V+)
4	Blue	Power Supply (0V)
5	Brown	Power Supply (+24V)
6	White	Infrared cell (PNP open collector)
7	Grey	NC

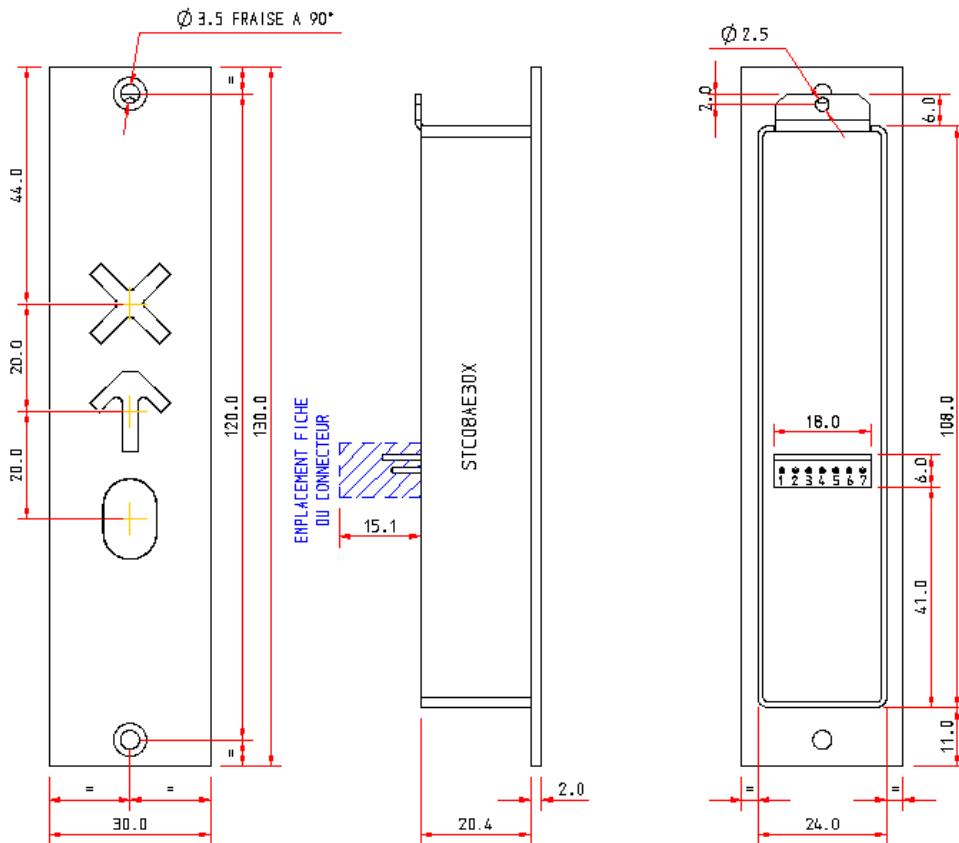
ELECTRICAL DIAGRAM:



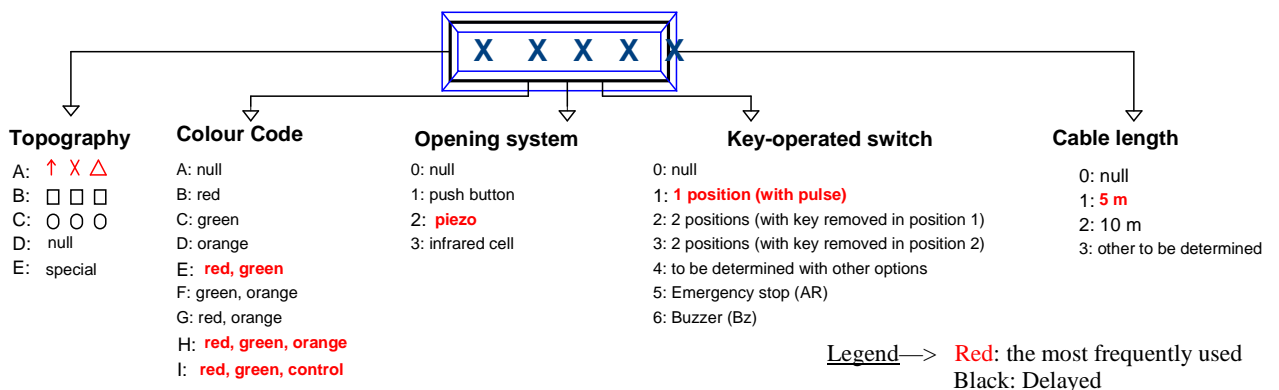
ELECTRICAL MODALITIES:

Parameter	Voltage (volt)		Current (milliamperes)	Reaction Time Tr (Milliseconds)
	Min	Max		
Green LED		24V	30mA	
Red LED		24V	30mA	
Infrared cell	12V	24V	50mA	<= 0.5ms

MECHANICAL FORMATS:



INFORMATION FOR ALL FUNCTIONS: STC 08 PLATE



290 Rue Louise Labé – BP.58– F-69970 CHAPONNAY

Phone: +33 (0)4.78.21.14.14 – Fax: +33 (0)4.78.21.62.80 – E-mail: salles_blanches@stc.fr

E-mail: export@stc.fr

E-mail: electronique@src.fr

2008 Certificate No. 31046 Simplified Joint Stock Company (S.A.S.) with a social capital of 37,000 EUR – APE 281 A – RCS LYON B 320 341 449 – TVA FR 60 320 341 449