



STC08 - AE200 Plate

- Red indicator
- Green indicator
- Stainless steel
- Piezo

OPERATION:

STC flush plates are designed to manage and control the door access to laboratories and clean rooms with controlled environments.

Simple and clear signs are used to display the status of the information.

TECHNICAL SPECIFICATIONS:

- Stainless steel cover and front panel
- Airtight
- Resistant to decontamination products (formaldehyde, H₂O₂, etc.)
- Ensures uniform lighting
- LED Advantages: life span > (100,000 hours)
- Pb Performance of the Piezo > 20 million cycles
- Low voltage power supply: 24V DC
- Fast-pinning system with polarising key
- Fast and easy installation
- Life span > 100,000 hours
- Low power consumption



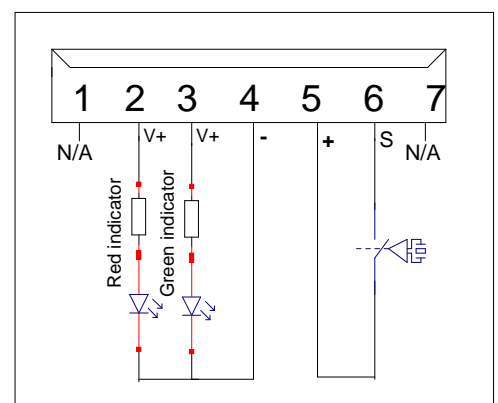
SECTORS OF APPLICATION:

Clean rooms
 Grey rooms
 Laboratories
 Hospitals
 Banks, etc.

WIRING DIAGRAM:

Mark	Colour	Description
1	Yellow	N/A
2	Red	Red LED (V+)
3	Green	Green LED (V+)
4	Blue	Power Supply (0V)
5	Brown	Power Supply (+24V)
6	White	Piezo
7	Grey	N/A

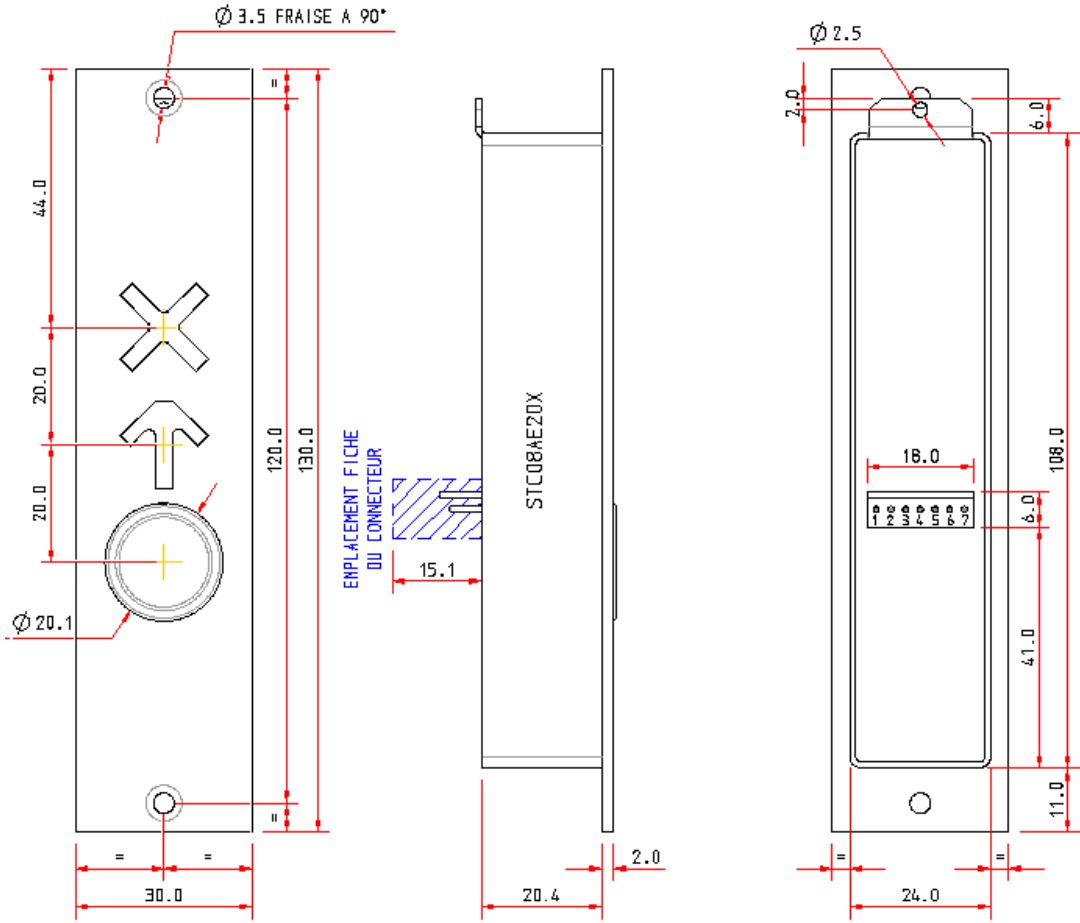
ELECTRICAL DIAGRAM:



ELECTRICAL MODALITY:

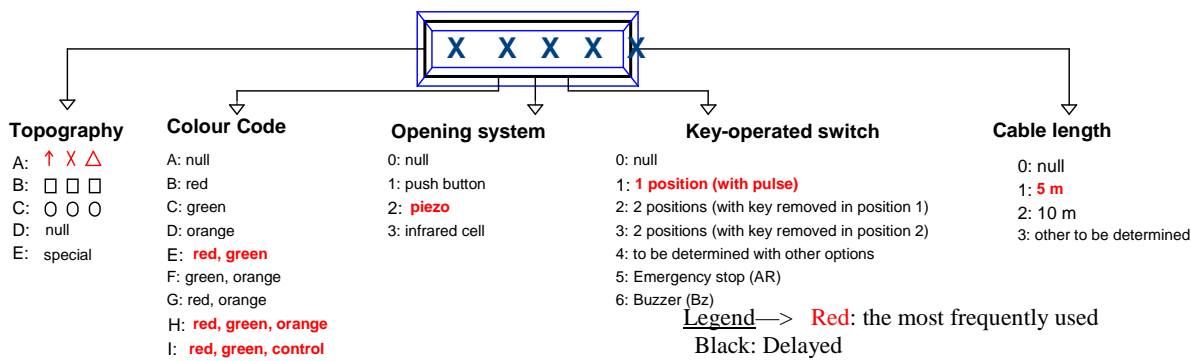
Parameter	Voltage (volt)		Current (milliamperes)
	Min	Max	
Green LED		24V	30mA
Red LED		24V	30mA
Piezo	5V	42V	100mA

MECHANICAL FORMATS:



INFORMATION FOR ALL FUNCTIONS:

STC 08 PLATE



290 Rue Louise Labé – BP.58– F-69970 CHAPONNAY
 Phone: +33 (0)4.78.21.14.14 – Fax: +33 (0)4.78.21.62.80 – E-mail: salles_blanches@stc.fr
 E-mail: export@stc.fr E-mail: electronique@stc.fr