



STC08 - AE060 Plate

- Red indicator
- Green indicator
- Buzzer

OPERATION:

STC flush plates are designed to manage and control the door access to laboratories and clean rooms with controlled environments.

Simple and clear signs are used to display the status of the information.

TECHNICAL SPECIFICATIONS:

- Stainless steel cover and front panel
- Airtight
- Resistant to decontamination products (formaldehyde, H₂O₂, etc.)
- Ensures uniform lighting
- LED Advantages: life span > (100,000 hours)
- Buzzer: permanent or intermittent sound (with IP 40 protection)
- Low voltage power supply: 24V DC
- Fast-pinning system with polarising key
- Fast and easy installation
- Life span > 100,000 hours
- Low power consumption



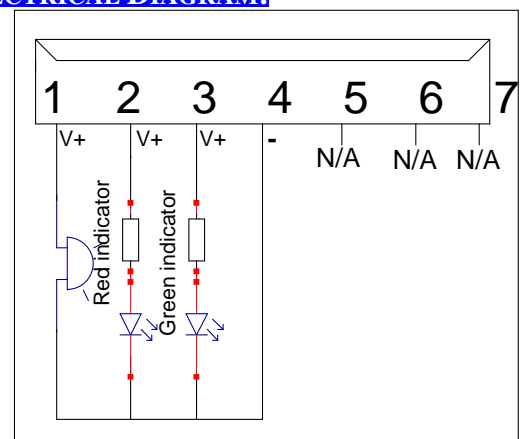
SECTORS OF APPLICATION:

Clean rooms
 Grey rooms
 Laboratories
 Hospitals
 Banks, etc.

WIRING DIAGRAM:

Mark	Colour	Description
1	Yellow	Buzzer (V+)
2	Red	Red LED (V+)
3	Green	Green LED (V+)
4	Blue	Power Supply (0V)
5	Brown	NC
6	White	NC
7	Grey	NC

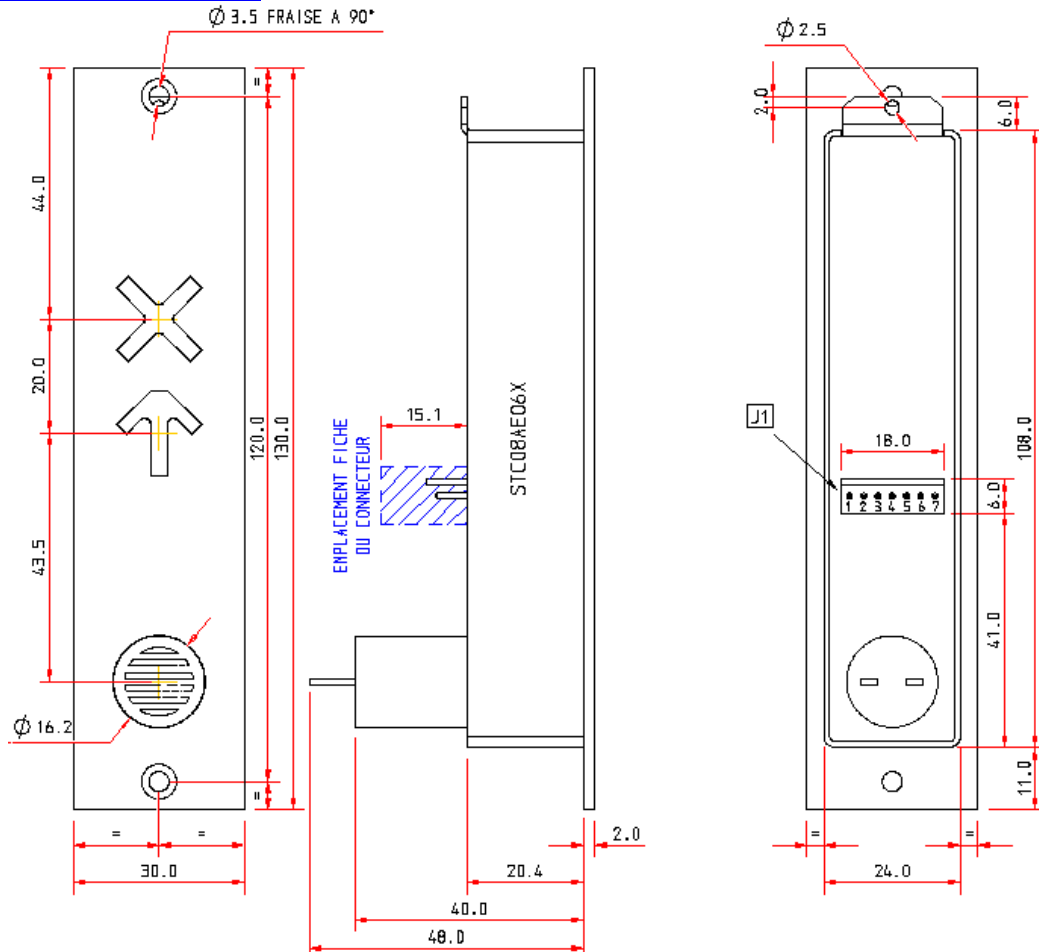
ELECTRICAL DIAGRAM:



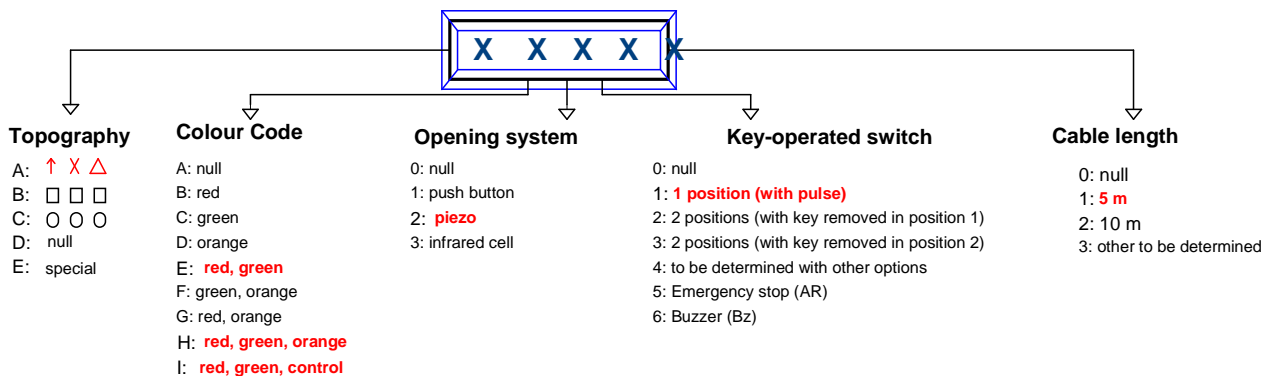
ELECTRICAL MODALITY:

Parameter	Voltage (volt)		Current (milliamperes)
	Min	Max	
Green LED		24V	30mA
Red LED		24V	30mA
Buzzer		30V	20mA

MECHANICAL FORMATS:



INFORMATION FOR ALL FUNCTIONS: STC 08 PLATE



Legend → **Red**: the most frequently used
Black: Delayed



290 Rue Louise Labé – BP.58– F-69970 CHAPONNAY

Phone: +33 (0)4.78.21.14.14 – Fax: +33 (0)4.78.21.62.80 – E-mail: salles_blanches@stc.fr

E-mail: export@stc.fr

E-mail: electronique@stc.fr

2008 Certificate
 No. 31046

Simplified Joint Stock Company (S.A.S.) with a social capital of 37,000 EUR – APE 281 A – RCS LYON B 320
 341 449 – TVA FR 60 320 341 449