



# STC08-AE050 Plate

- Red indicator
- Green indicator
- Emergency Stop

### OPERATION:

STC flush plates are designed to manage and control the door access to laboratories and clean rooms with controlled environments.

Simple and clear signs are used to display the status of the information.

### TECHNICAL SPECIFICATIONS:

- Stainless steel cover and front panel
- Airtight
- Resistant to decontamination products (formaldehyde, H<sub>2</sub>O<sub>2</sub>, etc.)
- Ensures uniform lighting
- LED Advantages: life span > (100,000 hours)
- Performance of an emergency stop > 30,000 switching cycles
- Low voltage power supply: 24V DC
- Fast-pinning system with polarising key
- Fast and easy installation
- Low power consumption



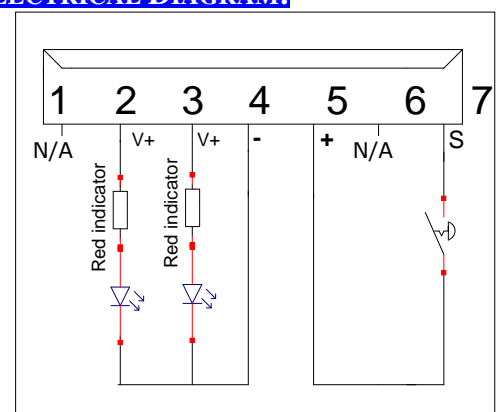
### SECTORS OF APPLICATION:

Clean rooms  
 Grey rooms  
 Laboratories  
 Hospitals  
 Banks, etc.

### WIRING DIAGRAM:

Mark	Colour	Description
1	Yellow	NC
2	Red	Red LED (V+)
3	Green	Green LED (V+)
4	Blue	Power Supply (0V)
5	Brown	Power Supply (+24)
6	White	NC
7	Grey	Emergency Stop

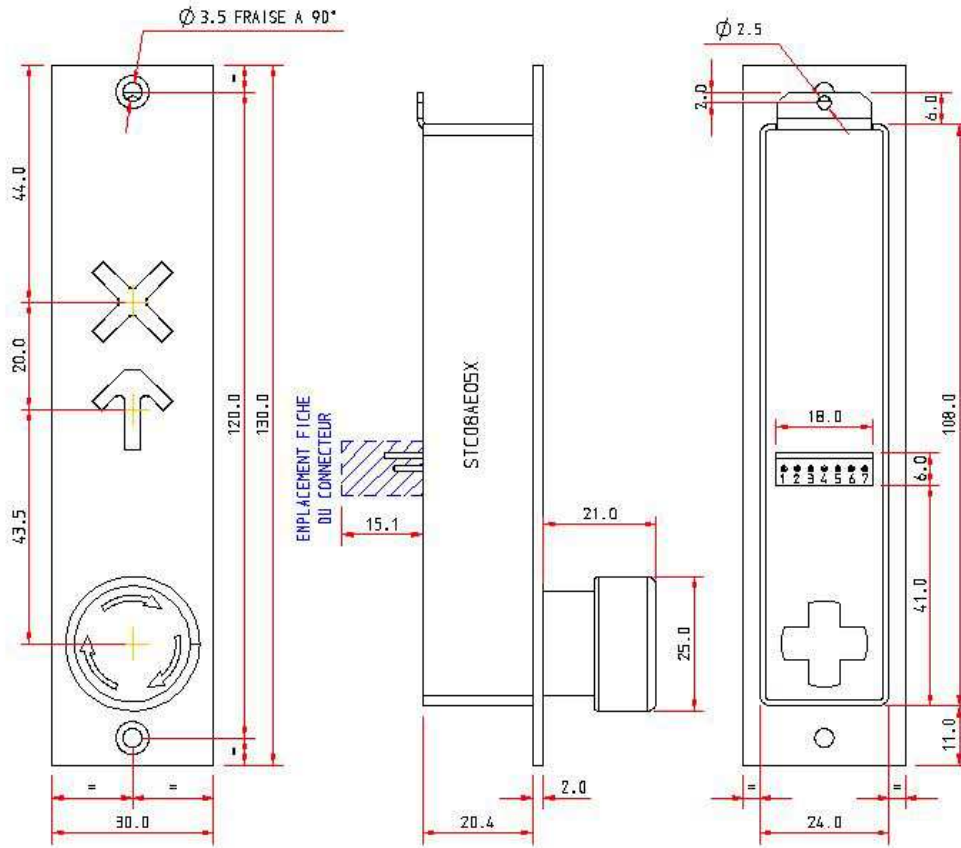
### ELECTRICAL DIAGRAM:



## ELECTRICAL MODALITY:

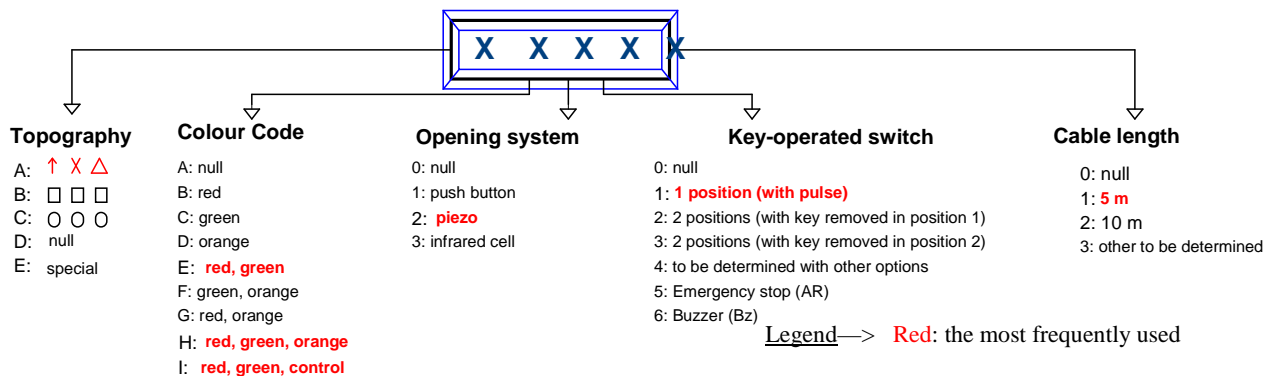
Parameter	Voltage (volt)	Current (milliamperes)
Green LED	24V	30mA
Red LED	24V	30mA
Emergency Stop	24V	

## MECHANICAL FORMATS:



## INFORMATION FOR ALL FUNCTIONS:

### STC 08 PLATE



Black: Delayed



290 Rue Louise Labé – BP.58– F-69970 CHAPONNAY

Phone: +33 (0)4.78.21.14.14 – Fax: +33 (0)4.78.21.62.80 – E-mail: [salles\\_blanches@stc.fr](mailto:salles_blanches@stc.fr)

E-mail: [export@stc.fr](mailto:export@stc.fr)

E-mail: [electronique@stc.fr](mailto:electronique@stc.fr)

Simplified Joint Stock Company (S.A.S.) with a social capital of 37,000 EUR – APE 281 A – RCS LYON B 320 341 449 – TVA FR 60 320 341 449